

INSTALLATION INSTRUCTIONS

Double DishDrawer™ dishwasher

DD60DA & DD60DC
models

NZ AU GB IE

Fisher & Paykel

www.fisherpaykel.com

591151B 08.16

⚠ WARNING!



Electrical shock hazard
Before installing the dishwasher, remove the house fuse or open the circuit breaker.
This appliance must be earthed. In the event of a malfunction or breakdown, earthing will reduce the risk of electric shock by providing a path of least resistance for electric current. This appliance is equipped with a cord having an equipment-earthing conductor and an earthing plug. The plug must be plugged into an appropriate outlet that is installed and earthed in accordance with all local codes and ordinances. Failure to follow this advice may result in electrical shock or death.

⚠ WARNING!



Electrical shock hazard
WARNING- Improper connection of the equipment-earthing conductor can result in a risk of electric shock. Check with a qualified electrician or service representative if you are in doubt as to whether the appliance is properly earthed.
Do not modify the power supply plug provided with the appliance - if it will not fit the outlet, have a proper outlet installed by a qualified electrician. Do not use an extension cord, adapter plug or multiple outlet box.
Failure to follow this advice may result in electrical shock or death.

⚠ WARNING!



Cut Hazard
Take care - panel edges are sharp. Failure to use caution could result in injury or cuts.

IMPORTANT!
SAVE THESE INSTRUCTIONS

The models shown in this installation guide may not be available in all markets and are subject to change at any time. For current details about model and specification availability in your country, please go to our website www.fisherpaykel.com or contact your local Fisher & Paykel dealer.

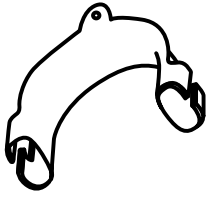
IMPORTANT SAFETY INSTRUCTIONS

- **Installation of this dishwasher requires basic mechanical and electrical skills.**
- **Be sure to leave these Instructions with the Customer.**
- **Installation must comply with your local building and electricity regulations.**
- **At the completion of the dishwasher installation, the Installer must perform the Final Checklist.**
- **Remove all packaging materials supplied with the dishwasher.**
- **This dishwasher is manufactured for indoor use only.**
- **Ensure all water connections are turned OFF. It is the responsibility of the plumber and electrician to ensure that each installation complies with all Codes and Regulations.**
- **The dishwasher MUST be installed to allow for future removal from the enclosure if service is required.**
- **The switched power outlet must be outside the dishwasher cavity, so that it is accessible after installation.**
- **Care should be taken when the appliance is installed or removed to reduce the likelihood of damage to the power supply cord and hoses.**

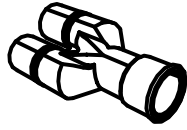
IMPORTANT SAFETY INSTRUCTIONS

- **If the dishwasher is to be relocated from one installation to another it must be kept upright to avoid damage from water spillage.**
- **Make sure only new hoses are used for connection (supplied with the dishwasher). Old hoses should not be reused.**
- **Failure to install the dishwasher correctly could invalidate any warranty or liability claims.**
- **If the product is installed in a motor vehicle, boat or similar mobile facility, you must bring the vehicle, boat or mobile facility containing the product to the service shop at your expense or pay the service technician's travel to the location of the product.**

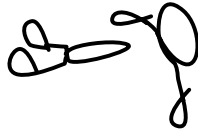
② PARTS SUPPLIED



Drain hose support (1)



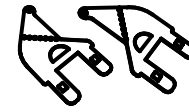
Drain hose joiner (1)



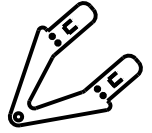
Wire clip (2)
(for securing
Drain hose joiner)



Clamp (1)
(for securing
Drain hose joiner)



Side mounting
bracket kit
(A and B) (2)
OPTIONAL



Top
mounting
brackets (2)
OPTIONAL



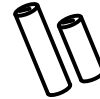
Phillips
16 mm
screws (9)



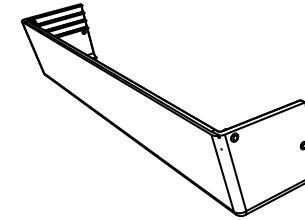
Rubber washer
for inlet hose (1)
(comes already
fitted)



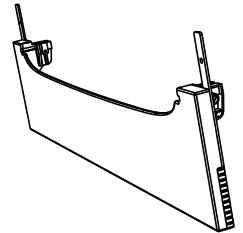
Moisture protection
tape (1)
(to prevent moisture
damage to cabinetry)



Hexagonal
socket for feet
adjustment (2)
(long & short)



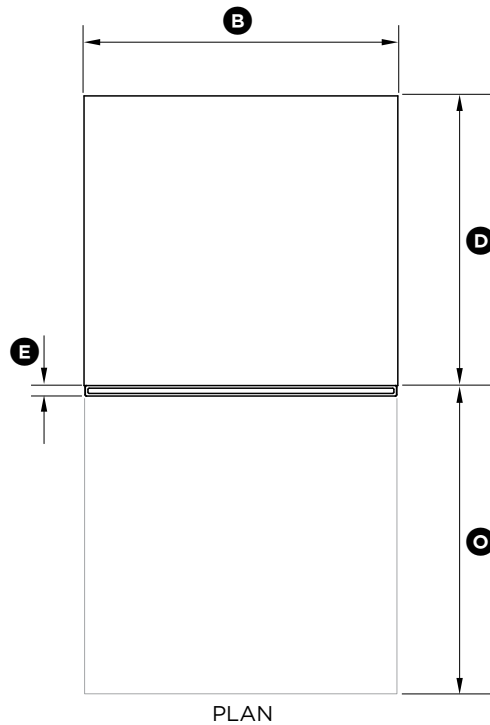
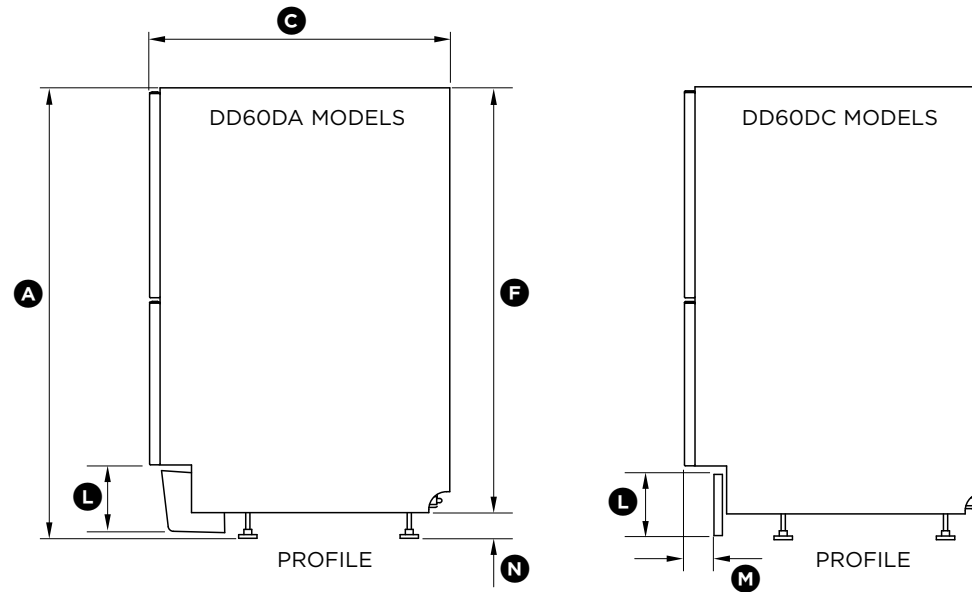
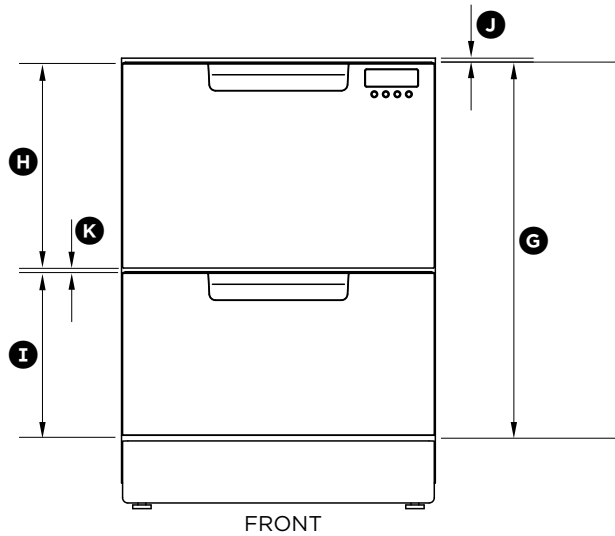
DD60DA models only
Prefinished toe kick (1)
and securing pins (4)



DD60DC models only
Prefinished toe kick (1)

If the Drain hoses supplied are not long enough to reach your services, you must use a Drain Hose Extension Kit P/N 525798 which will extend the drain hoses by 3.6 m. The kit is available from the nearest Fisher & Paykel Authorised Service Centre or our local website listed at the end of this document.

3 PRODUCT DIMENSIONS



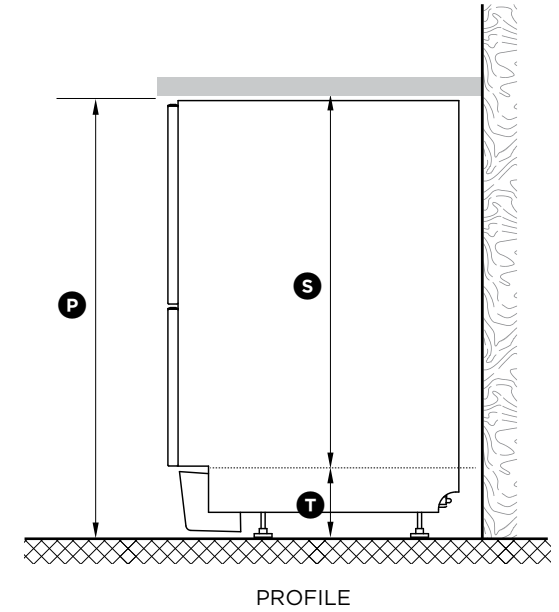
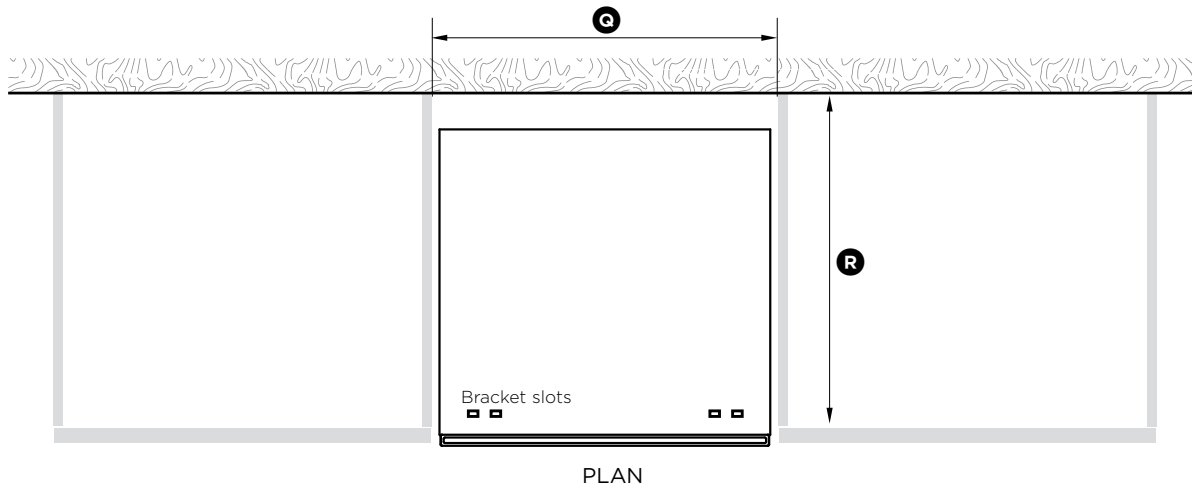
PRODUCT DIMENSIONS

	DD60DA	DD60DC
	MM	MM
(A) Overall height of product ¹	820-880 ²	820-880 ²
(B) Overall width of product	599	599
(C) Overall depth of product	573	573
(D) Depth of chassis (to back of front drawer panel)	553	553
(E) Depth of drawer front panel	20	20
(F) Height of chassis ¹	811	811
(G) Height of drawer front panels	712	712
(H) Height of upper drawer front panel	393	393
(I) Height of lower drawer front panel	312	312
(J) Height from top of drawer front panel to top of chassis	8	8
(K) Ventilation gap between drawer front panels	7	7
(L) Height of toe-kick (customisable)	70-120	72-127
(M) Depth from front of drawer panel to front of toe-kick (adjustable) ³	NA	38-54
(N) Height of levelling feet (adjustable)	9-69 ²	9-69 ²
(O) Maximum extension of drawer	547	547

¹ includes 2mm high bracket slots ² depending on adjustment of levelling feet

³ adjustable to match toe-kick recess on adjoining cabinetry

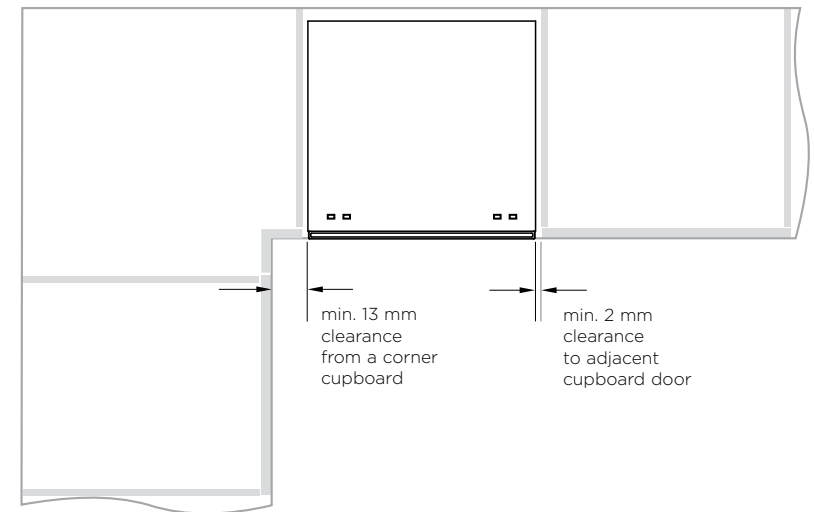
④ CABINETY DIMENSIONS



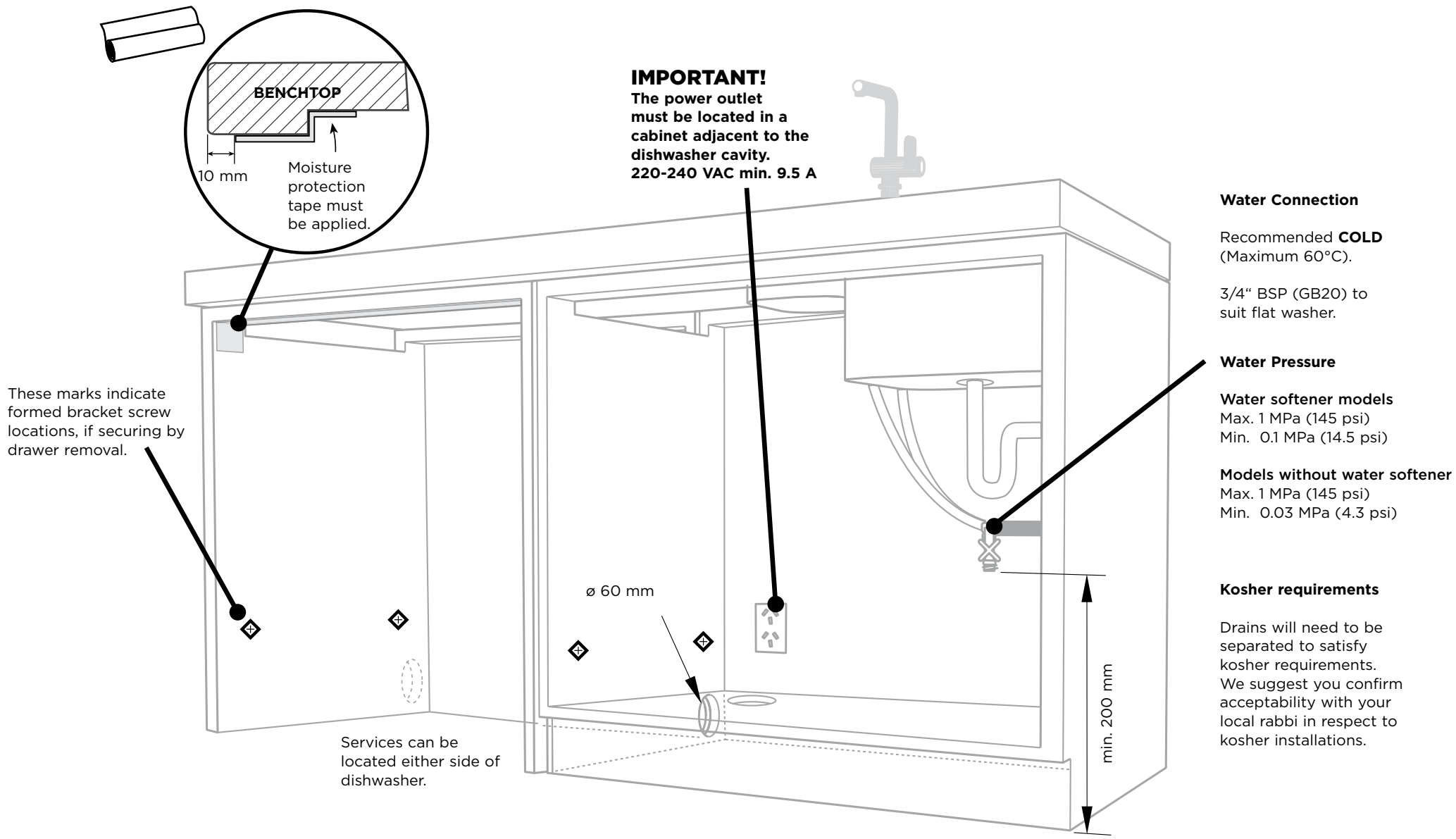
CABINETY DIMENSIONS	DD60DA MM	DD60DC MM
Ⓟ Inside height of cavity*	min. 820	min. 820
Ⓠ Inside width of cavity	600	600
Ⓡ Inside depth of cavity	min. 560	min. 560
Ⓢ Recommended height of adjacent cabinet space	720	720
Ⓣ Height of toe-kick space*	100-160	100-160

* depending on adjustment of levelling feet

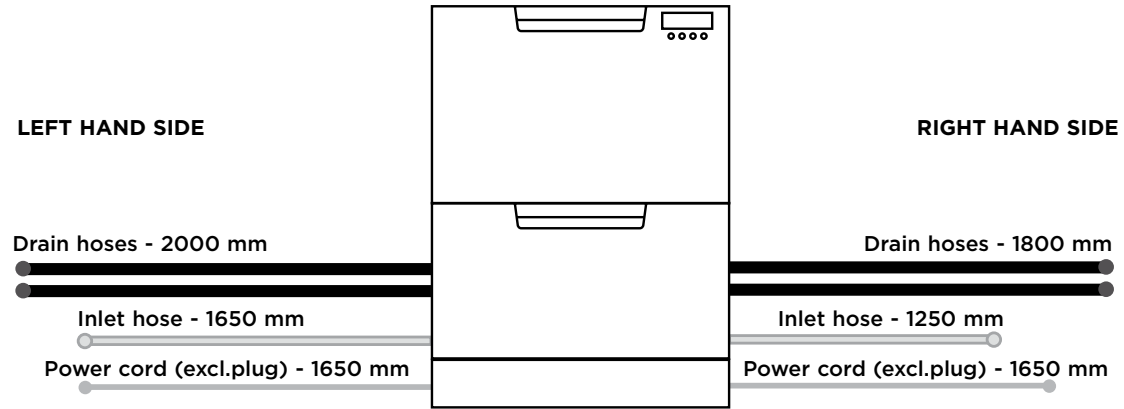
Minimum clearances from adjacent cabinetry



5 CAVITY PREPARATION

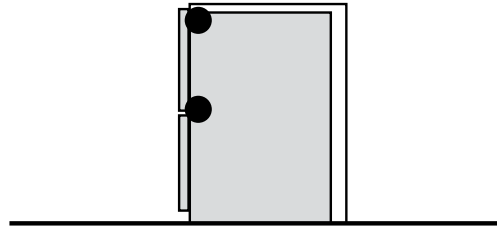


⑥ **MAXIMUM DISTANCE OF HOSES & CORD FROM CHASSIS EDGE**



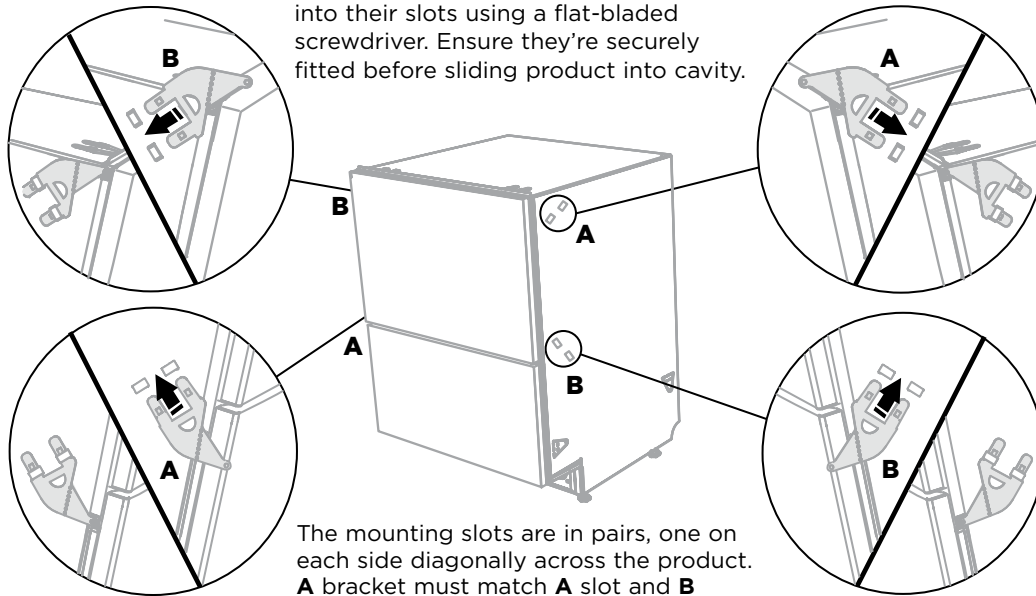
**NOW CHOOSE WHICH INSTALLATION METHOD (A) OR (B)
IS MORE SUITABLE FOR YOUR CABINETRY...**

7 RECOMMENDED METHOD (A) - SECURE WITHOUT DRAWER REMOVAL (FRAMELESS CABINETRY ONLY)

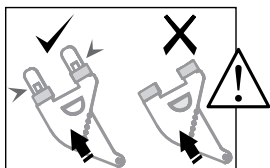


8-A ATTACH SIDE MOUNTING BRACKETS

Clip all four side mounting brackets into their slots using a flat-bladed screwdriver. Ensure they're securely fitted before sliding product into cavity.



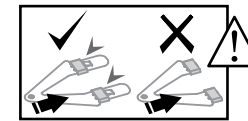
The mounting slots are in pairs, one on each side diagonally across the product. **A** bracket must match **A** slot and **B** bracket must match **B** slot.



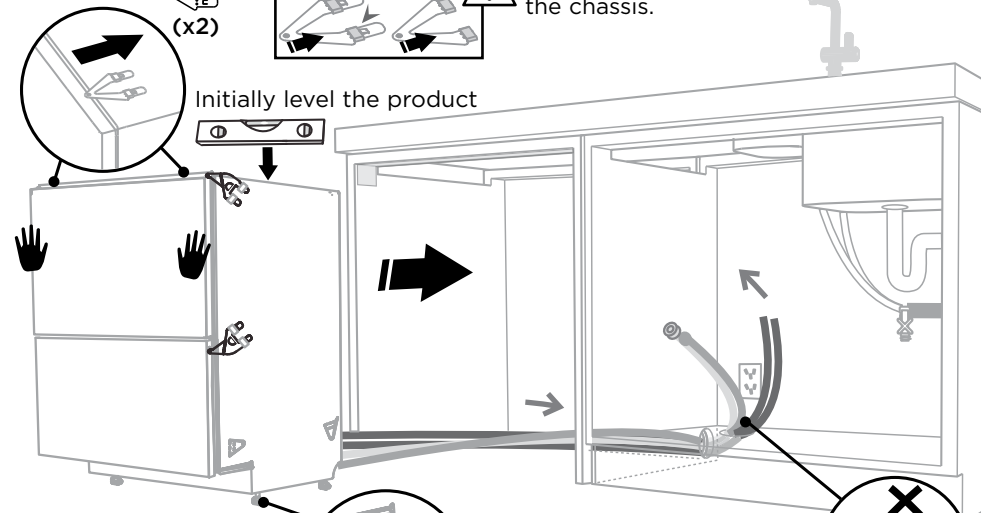
When fitting brackets, ensure the ends are not pushed down into the chassis.

9-A PULL THROUGH HOSES & PUSH INTO THE CAVITY

optionally attach the two top mounting brackets (x2)

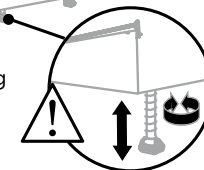


When fitting brackets, ensure the ends are not pushed down into the chassis.



Initially level the product

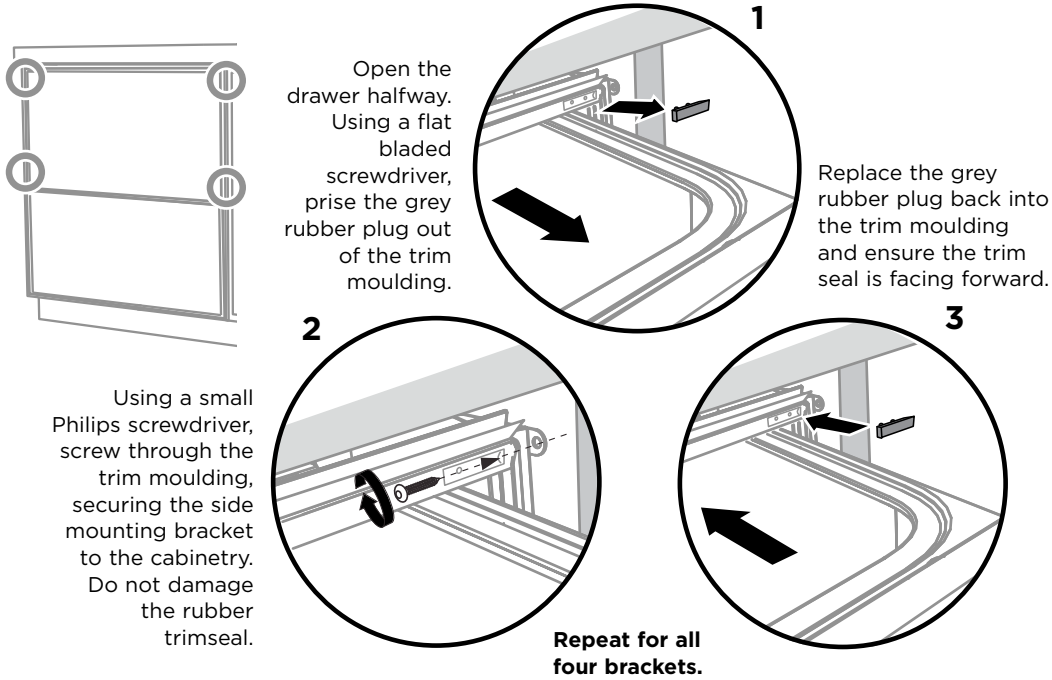
You can raise or lower the product by twisting the feet. Then take care when pushing the product into the cavity that you do not bend the feet.



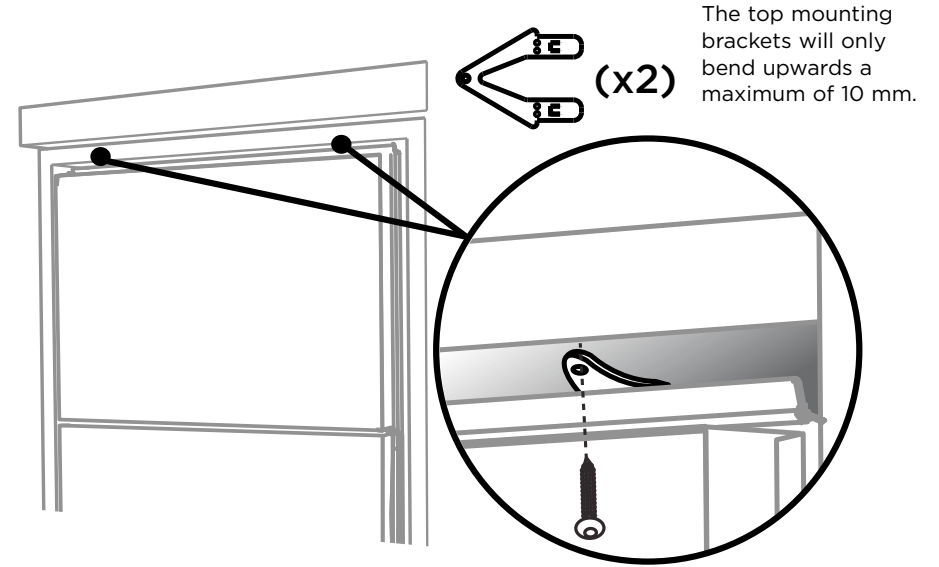
As you push product in, pull through hoses and cord, ensuring they don't get kinked or twisted.



10-A SECURE TO THE CABINETRY ON THE SIDES

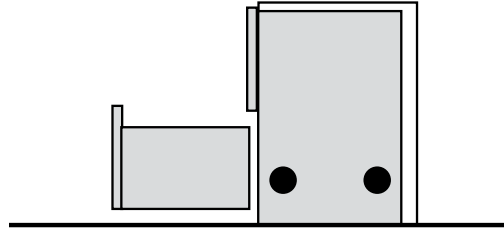


11-A OPTIONALLY SECURE TO THE CABINETRY ABOVE



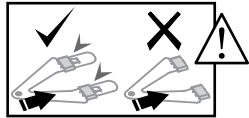
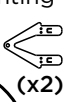
12-A AFTER SECURING, DEPENDING ON YOUR MODEL - REFER TO RELEVANT 'FIT THE SUPPLIED TOEKICK PANEL' STEP

7 **ALTERNATIVE METHOD (B) - SECURE BY DRAWER REMOVAL**

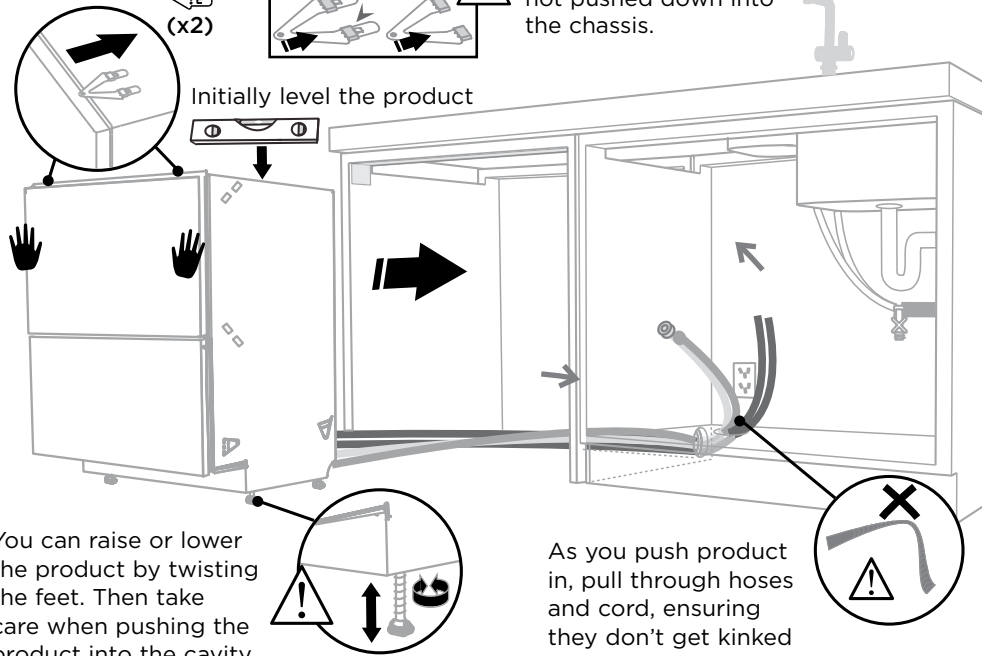


8-B **PULL THROUGH HOSES & PUSH INTO THE CAVITY**

optionally attach the two top mounting brackets



When fitting brackets, ensure the ends are not pushed down into the chassis.

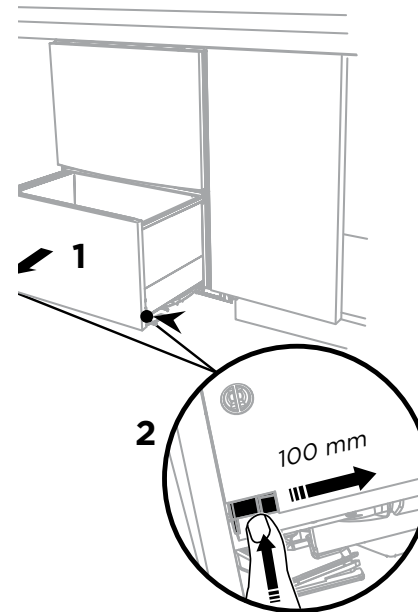


Initially level the product

You can raise or lower the product by twisting the feet. Then take care when pushing the product into the cavity that you do not bend the feet.

As you push product in, pull through hoses and cord, ensuring they don't get kinked or twisted.

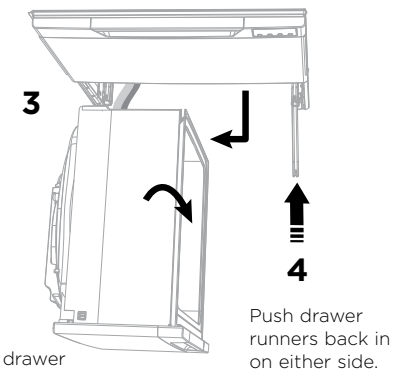
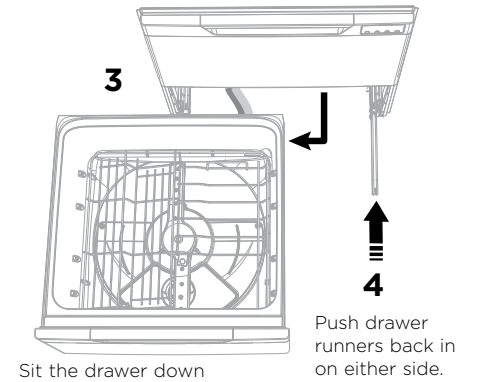
9-B **REMOVE THE LOWER DRAWER**



Press the release tabs in on either side and push back to release drawer from runners. Lift drawer off runners.

To prevent kinked hoses

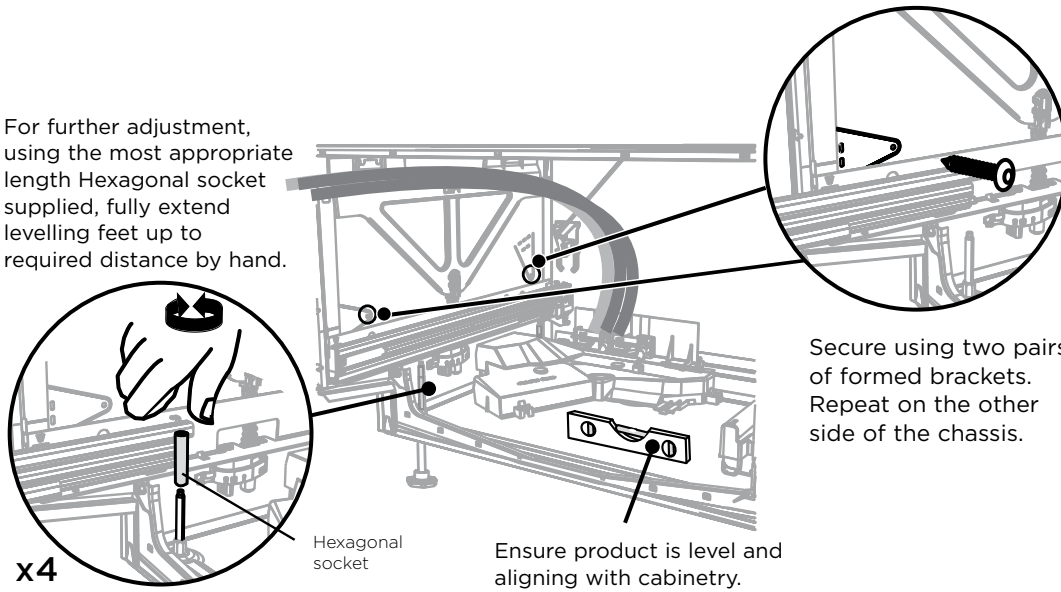
Either sit the drawer down on the left hand side (recommended) or rotate the drawer clockwise, resting it on its side after removal.



Rotate the drawer clockwise (max. 90°) and rest on side.

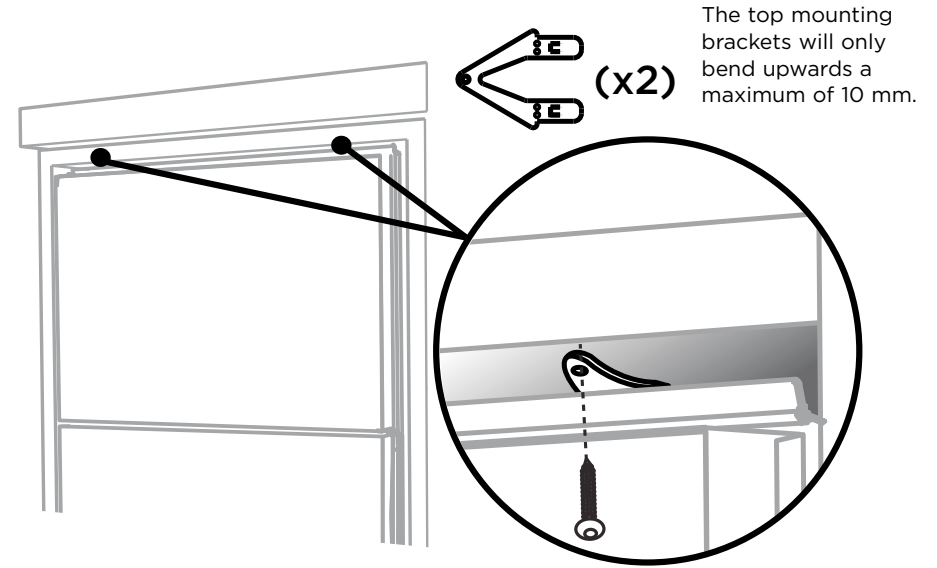
10-B SECURE TO THE CABINETRY ON THE SIDES

For further adjustment, using the most appropriate length Hexagonal socket supplied, fully extend levelling feet up to required distance by hand.

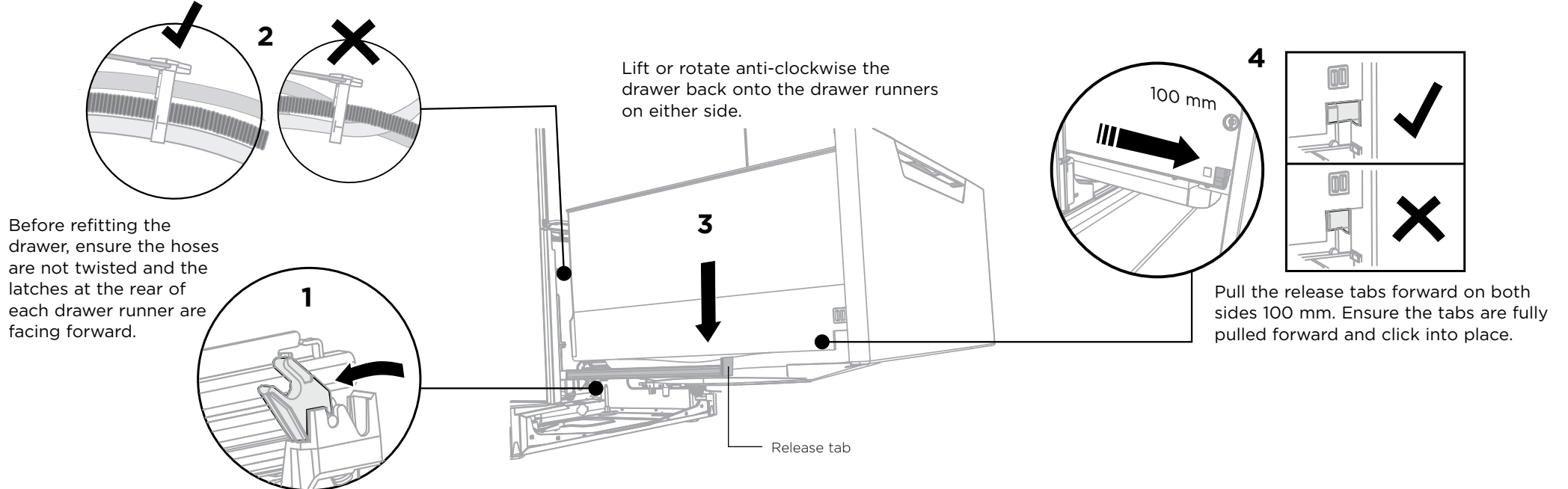


Secure using two pairs of formed brackets. Repeat on the other side of the chassis.

11-B OPTIONALLY SECURE TO THE CABINETRY ABOVE



12-B REFIT THE DRAWER ONTO THE RUNNERS



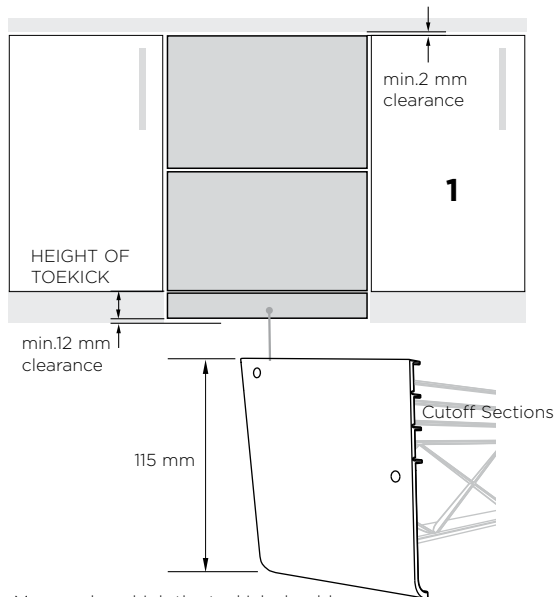
Before refitting the drawer, ensure the hoses are not twisted and the latches at the rear of each drawer runner are facing forward.

Lift or rotate anti-clockwise the drawer back onto the drawer runners on either side.

Pull the release tabs forward on both sides 100 mm. Ensure the tabs are fully pulled forward and click into place.

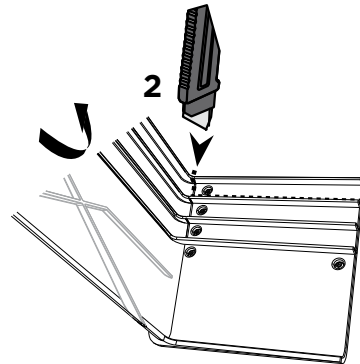
13-B AFTER SECURING, DEPENDING ON YOUR MODEL - REFER TO RELEVANT 'FIT THE SUPPLIED TOEKICK PANEL' STEP

14 FIT THE SUPPLIED TOEKICK PANEL - DD60DA MODELS ONLY

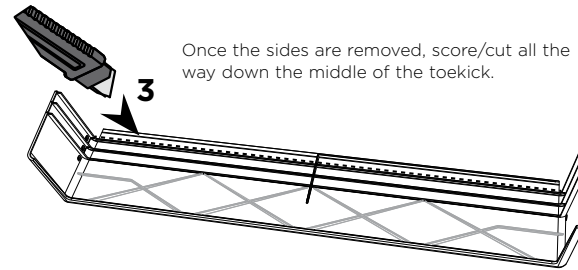


Measure how high the toe kick should be based on min. 12 mm clearance to floor and the table below.

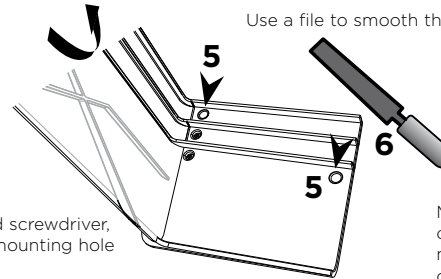
HEIGHT FROM FLOOR TO BOTTOM OF DOOR (MM)	NUMBER OF CUTOFF SECTIONS TO REMOVE FROM PANEL
100-114	3
115-129	2
130-144	1
145-160	0



On a board, lay the toe kick on its side and carefully score/cut down the corner to where the cutoff will be. There are 3 preset height positions. Carefully bend and snap off the side.
Repeat in the opposite corner.

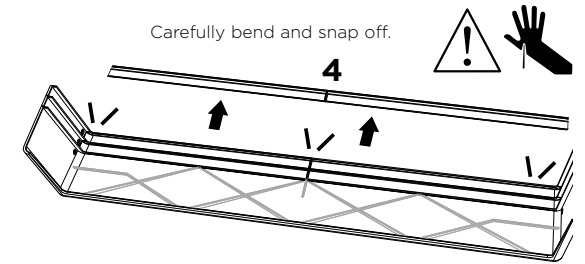


Once the sides are removed, score/cut all the way down the middle of the toe kick.

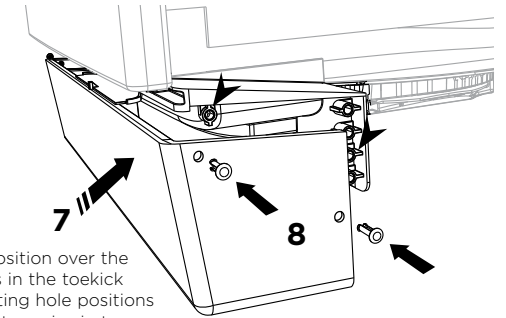


Use a file to smooth the top edges.

Using a hammer and screwdriver, punch out the two mounting hole locations as shown.
Repeat on the opposite side.



Carefully bend and snap off.

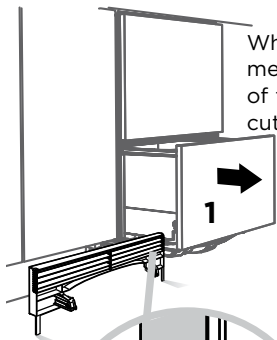


Mount the toe kick into position over the cowl. Ensure the holes in the toe kick match up with the mounting hole positions on the cowl. Push the two pins in to secure. **Repeat on the opposite side.**

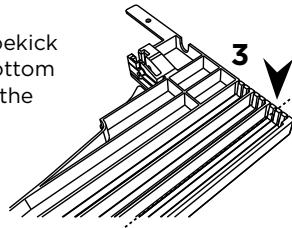
if after fitting, the drawer touches the floor with a full load, you need to remove more of the toe kick panel:

- (A) Remove the lower drawer (see ALTERNATIVE METHOD (B) - SECURE BY DRAWER REMOVAL - STEP 8 B: REMOVE THE LOWER DRAWER)
- (B) Remove the pins - use a pair of needle nose pliers to press the pin legs together and push back through the hole
- (C) Remove the panel, and cut off another section of the kick strip following steps 2-8 above.
- (D) Replace the drawer (see ALTERNATIVE METHOD (B) - SECURE BY DRAWER REMOVAL - STEP 11 B REFIT THE DRAWER ONTO THE RUNNERS)
- (E) Continue from step 7 above.

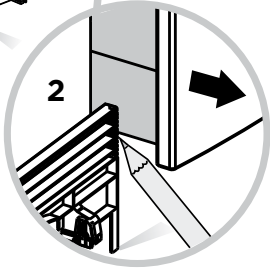
14 FIT THE SUPPLIED TOEKICK PANEL - DD60DC MODELS ONLY



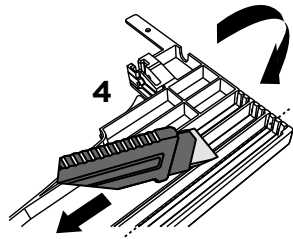
Where the toekick meets the bottom of the tub is the cut-off point



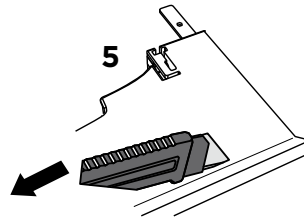
Lay the toekick face down on a chopping board or similar



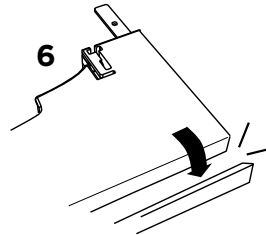
Mark this point on the toekick with a pencil



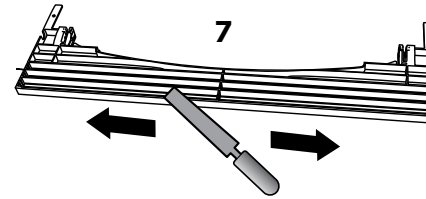
Score along the marked cutoff line with a knife



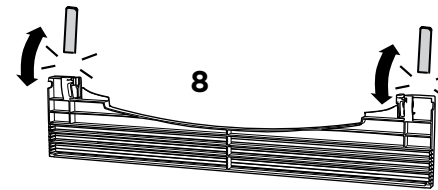
Turn the toekick over and score along the same line



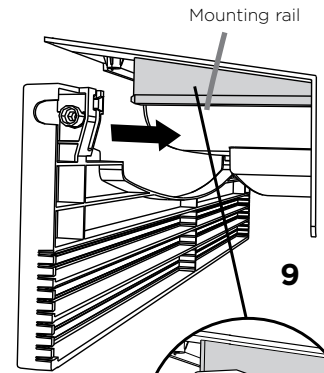
Gently snap off the excess



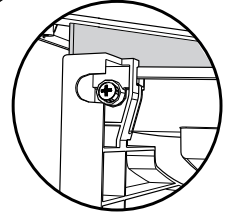
Smooth the edges with a file. Be careful of sharp edges.



Snap off the two end tabs



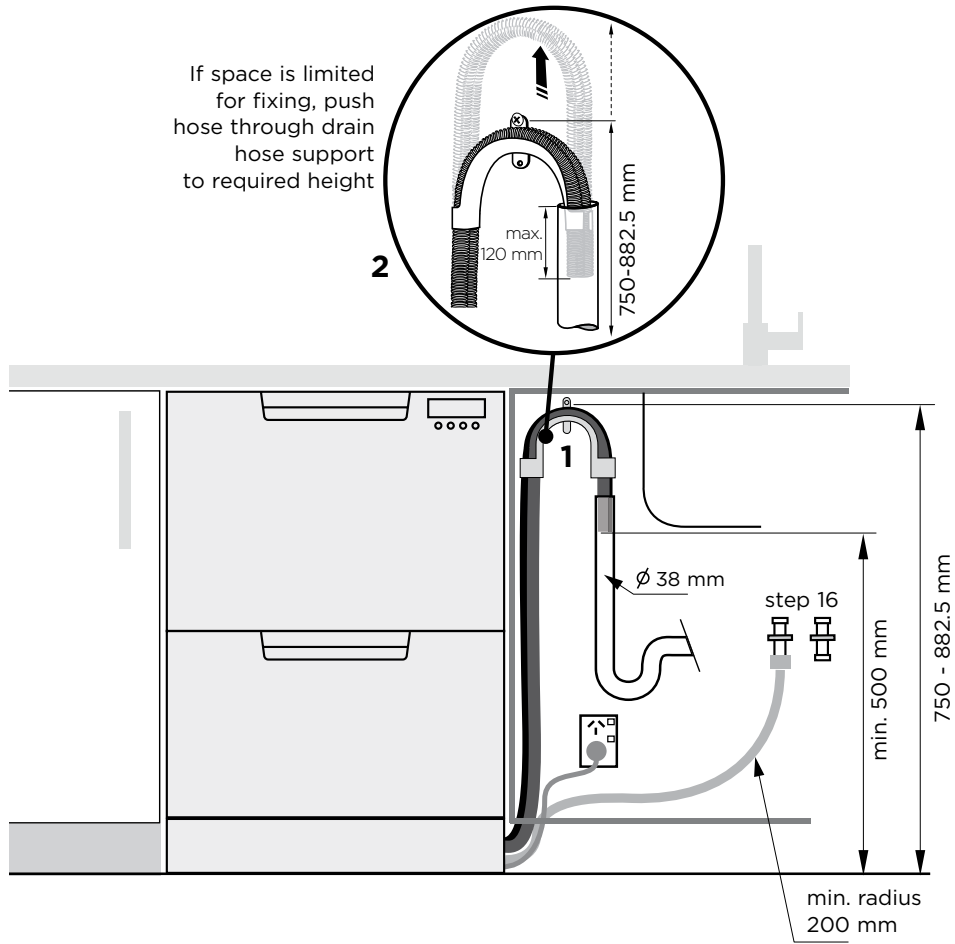
Slide the toekick onto the mounting rails either side and screw the toekick onto the bottom of tub on either side.



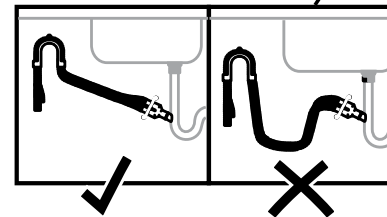
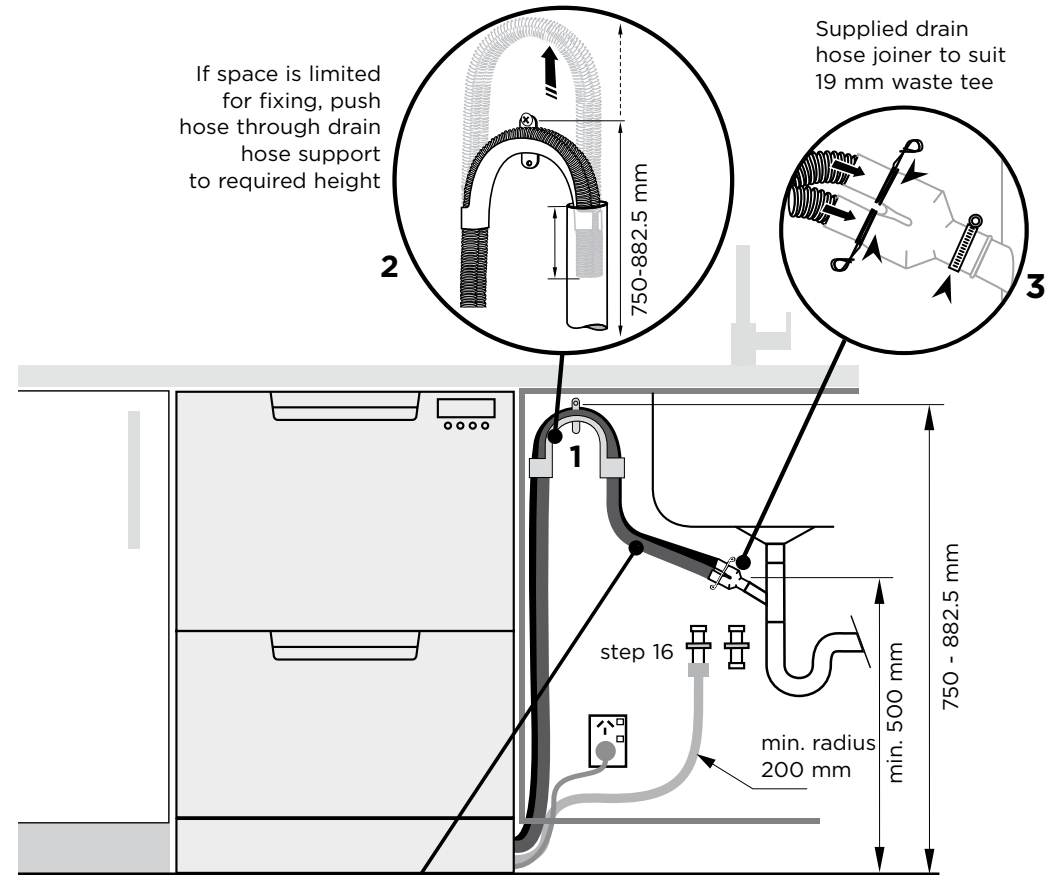
IMPORTANT!
Do not overtighten screw.

15 THERE ARE TWO DIFFERENT PLUMBING AND DRAINAGE OPTIONS. CHOOSE WHICH IS MORE SUITABLE.

Dishwasher and Ø 38 mm Standpipe



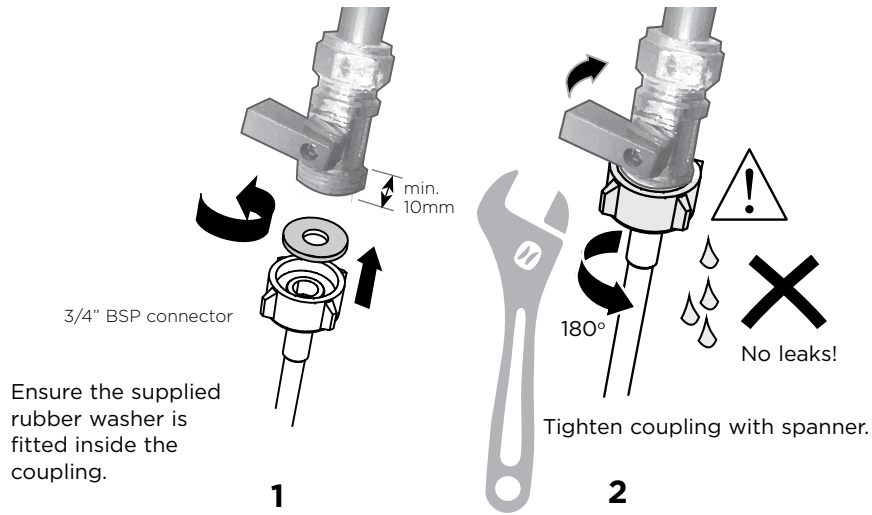
Dishwasher using drain hose joiner onto sink trap/waste tee



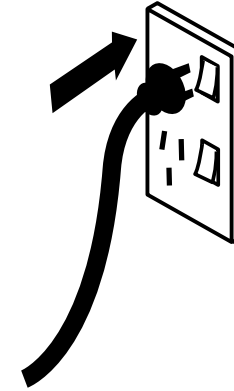
Ensure drain hose is routed straight to joiner. Remove excess drain hose material if necessary. Do not shorten the inlet hose.

IMPORTANT!
Do not connect the drain hoses to a Waste Disposal Unit, as this type of connection may lead to a blockage in the drain hoses.

16 CONNECT INLET HOSE TO COLD WATER



17 PLUG PRODUCT IN



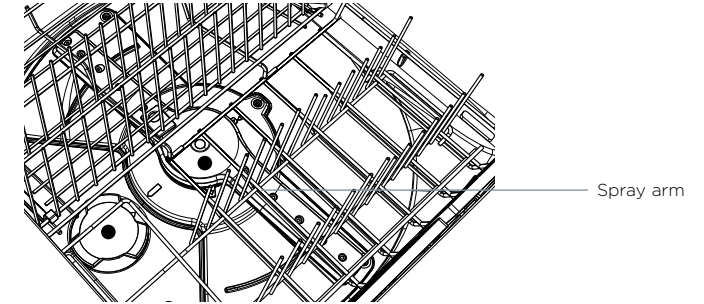
18 TROUBLESHOOTING

- **Excessive water remaining above the filter plate, after the rinse cycle. (This is displayed as an $R3$ fault)**
Check for a kinked drain hose, blocked waste connection, highloop not properly installed, drain hose not routed correctly or spray arms not in place.
- **No water supply. (This is displayed as an $R1$ fault)**
Check water is connected and turned on.
- **The dishwasher is beeping continuously**
There is a fault. See section 'If there is a fault' in the User guide for further information and instructions.
- **No program indicator lights up when the drawer is opened**
Ensure power is connected and is switched on. If it is and still no indicator lights up, see the 'Preference options' section of the 'Quick start guide'. An option called 'Open drawer auto power-on' may need to be turned on.
- **Water around water supply and drainage connections**
Check connections, existing plumbing and hoses for leaks. Check rubber washer and hose clamp are correctly fitted.
- **If product is tipping**
Ensure the product is secured to the cabinetry.
- **If front panels are misaligned**
Check and relevel product. Unscrew the product from the cabinetry. Adjust the feet to level the product, then re-secure to the cabinetry. Check the cabinetry is square.
- **Drawer doesn't close properly**
Ensure nothing is obstructing the drawer from closing properly eg hoses or drawer latches.
- If a problem occurs, consult the 'Troubleshooting' section of the User guide.
- If after checking these points you still need assistance, please refer to the Service & Warranty book for warranty details and your nearest Authorised Service Centre, or contact us through our website, listed below.

✓ **TO BE COMPLETED BY THE INSTALLER**

- Check all parts are installed.
- Ensure that all panels and parts thereof are secure and final electrical tests have been conducted in accordance with local electrical regulations.
- Ensure product is level, securely fastened to the cabinetry and opens and closes freely. The drawers must be free to fully close with no resistance from the cabinetry.
- Ensure inlet hose to water supply has supplied rubber washer fitted, and that it's tightened a further half turn after seal contact.
- Ensure any knockouts or plugs in drain connection have been drilled out and drain connection has been made.
- The drain hose joiner must not support the weight of excess hose material. Keep drain hose as fully extended as possible to prevent sagging. Any excess length of drain hose should be kept on the dishwasher side of the highloop.
- If connecting the drain hose to the sink trap, ensure the Highloop is a minimum 150mm higher than the drain hose joiner.
- Ensure any packaging or tape securing the racks is removed from the drawers.
- Water softener models only: adjust the water softener setting from the default setting to suit the water hardness of the area. See the Quick start guide and section 'Water softener' in the User guide.

- Turn on the power and water supplies, then open the drawers. You should hear a beep and see a program indicator light up on the control panel.
- Check the spray arms are in place, mounted correctly and free to rotate, by physically rotating by hand.



- Add three cups of water into the drawer. Press >> until the indicator of the 'Rinse' program lights up. Close the drawer and press ▶|| to start the program. Repeat for the other drawer.
- After the Rinse program has finished, ensure the dishwasher has run and drained correctly.
- Check the water supply has correctly shut off and drainage connection for leakage.

Complete and keep for safe reference:

Model _____

Serial No. _____

Purchase Date _____

Purchaser _____

Dealer Address _____

Installer's Name _____

Installer's Signature _____

Installation Company _____

Installation Date _____

Copyright © Fisher & Paykel Appliances 2016. All rights reserved.
 The product specifications in this booklet apply to the specific products and models described at the date of issue. Under our policy of continuous product improvement, these specifications may change at any time. You should therefore check with your Dealer to ensure this booklet correctly describes the product currently available.

INSTALLATION INSTRUCTIONS

Single DishDrawer™ dishwasher

DD60SA & DD60SC
models

NZ AU GB IE

Fisher & Paykel

www.fisherpaykel.com

591151B 08.16

⚠ WARNING!



Electrical shock hazard
Before installing the dishwasher, remove the house fuse or open the circuit breaker.
This appliance must be earthed. In the event of a malfunction or breakdown, earthing will reduce the risk of electric shock by providing a path of least resistance for electric current. This appliance is equipped with a cord having an equipment-earthing conductor and an earthing plug. The plug must be plugged into an appropriate outlet that is installed and earthed in accordance with all local codes and ordinances. Failure to follow this advice may result in electrical shock or death.

⚠ WARNING!



Electrical shock hazard
WARNING- Improper connection of the equipment-earthing conductor can result in a risk of electric shock. Check with a qualified electrician or service representative if you are in doubt as to whether the appliance is properly earthed.
Do not modify the power supply plug provided with the appliance - if it will not fit the outlet, have a proper outlet installed by a qualified electrician. Do not use an extension cord, adapter plug or multiple outlet box.
Failure to follow this advice may result in electrical shock or death.

⚠ WARNING!



Cut Hazard
Take care - panel edges are sharp. Failure to use caution could result in injury or cuts.

IMPORTANT!
SAVE THESE INSTRUCTIONS

The models shown in this installation guide may not be available in all markets and are subject to change at any time. For current details about model and specification availability in your country, please go to our website www.fisherpaykel.com or contact your local Fisher & Paykel dealer.

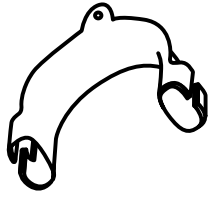
IMPORTANT SAFETY INSTRUCTIONS

- **Installation of this dishwasher requires basic mechanical and electrical skills.**
- **Be sure to leave these Instructions with the Customer.**
- **Installation must comply with your local building and electricity regulations.**
- **At the completion of the dishwasher installation, the Installer must perform the Final Checklist.**
- **Remove all packaging materials supplied with the dishwasher.**
- **This dishwasher is manufactured for indoor use only.**
- **Ensure all water connections are turned OFF. It is the responsibility of the plumber and electrician to ensure that each installation complies with all Codes and Regulations.**
- **The dishwasher MUST be installed to allow for future removal from the enclosure if service is required.**
- **The switched power outlet must be outside the dishwasher cavity, so that it is accessible after installation.**
- **Care should be taken when the appliance is installed or removed to reduce the likelihood of damage to the power supply cord and hoses.**

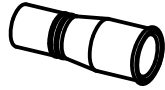
IMPORTANT SAFETY INSTRUCTIONS

- **If the dishwasher is to be relocated from one installation to another it must be kept upright to avoid damage from water spillage.**
- **Make sure only new hoses are used for connection (supplied with the dishwasher). Old hoses should not be reused.**
- **Failure to install the dishwasher correctly could invalidate any warranty or liability claims.**
- **If the product is installed in a motor vehicle, boat or similar mobile facility, you must bring the vehicle, boat or mobile facility containing the product to the service shop at your expense or pay the service technician's travel to the location of the product.**

② PARTS SUPPLIED



Drain hose support (1)



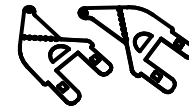
Drain hose joiner (1)



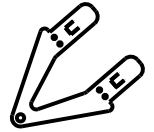
Wire clip (1)
(for securing
Drain hose joiner)



Clamp (1)
(for securing
Drain hose joiner)



Side mounting
bracket kit
(A and B) (2)
OPTIONAL



Top
mounting
brackets (2)
OPTIONAL



Phillips
16 mm
screws (7)



38 mm
bottom fixing
screws & metal
washers (2)



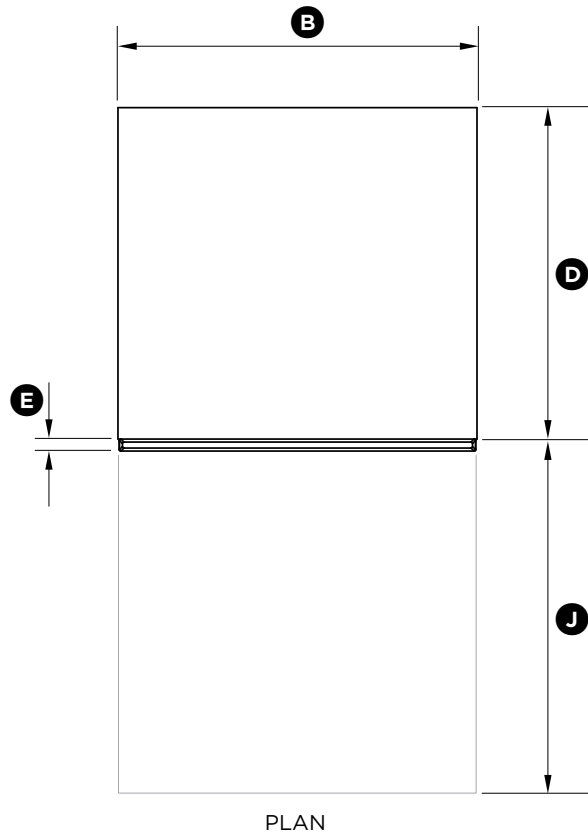
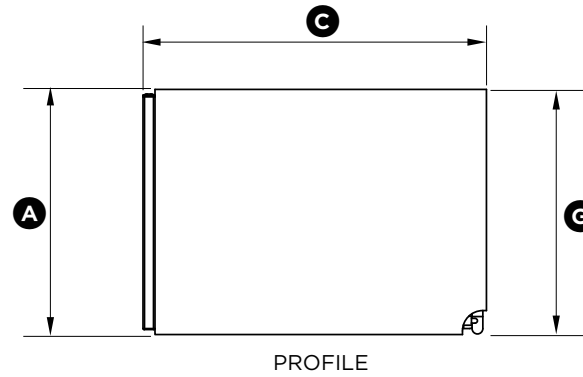
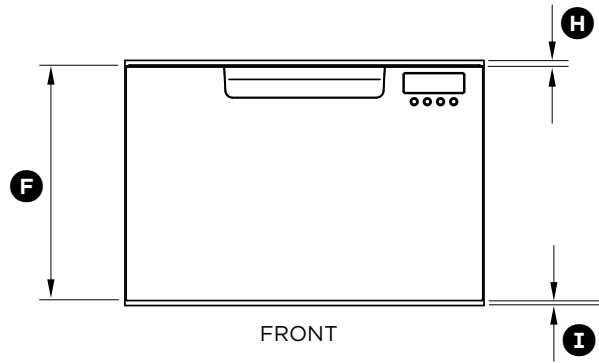
Rubber washer
for inlet hose (1)
(comes already
fitted)



Moisture protection
tape (1)
(to prevent moisture
damage to cabinetry)

If the Drain hoses supplied are not long enough to reach your services, you must use a Drain Hose Extension Kit P/N 525798 which will extend the drain hoses by 3.6 m. The kit is available from the nearest Fisher & Paykel Authorised Service Centre or our local website listed at the end of this document.

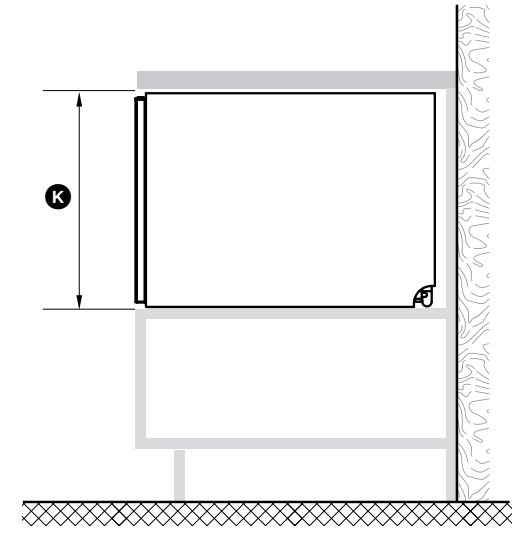
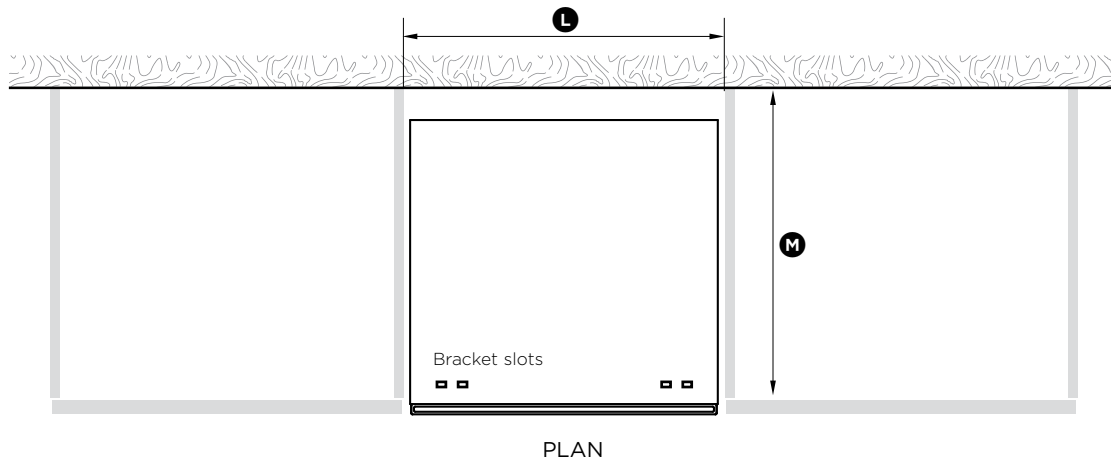
3 PRODUCT DIMENSIONS



PRODUCT DIMENSIONS	DD60SA	DD60SCT
	MM	MM
Ⓐ Overall height of product ¹	410	454
Ⓑ Overall width of product	599	599
Ⓒ Overall depth of product	573	573
Ⓓ Depth of chassis (to back of front drawer panel)	553	553
Ⓔ Depth of drawer front panel	20	20
Ⓕ Height of drawer front panel	393	437
Ⓖ Height of chassis ¹	410	454
Ⓗ Height from top of drawer front panel to top of chassis	8	8
Ⓘ Ventilation gap below drawer front panel	7	7
Ⓙ Maximum extension of drawer	547	547

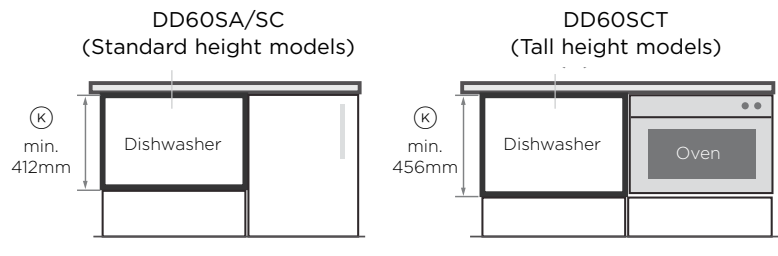
¹ includes 2mm high bracket slots

④ CABINETY DIMENSIONS

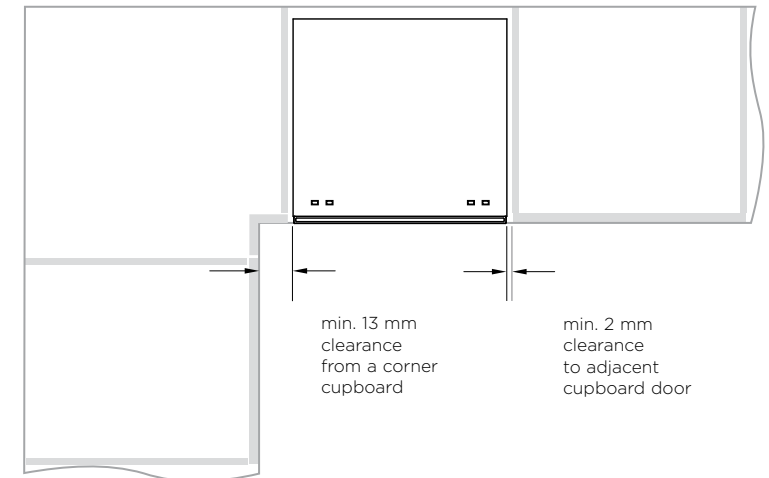


CABINETY DIMENSIONS	DD60SA DD60SC	DD60SCT
	MM	MM
Ⓚ Inside height of cavity	min. 412	min. 456
Ⓛ Inside width of cavity	600	600
Ⓜ Inside depth of cavity	min. 560	min. 560

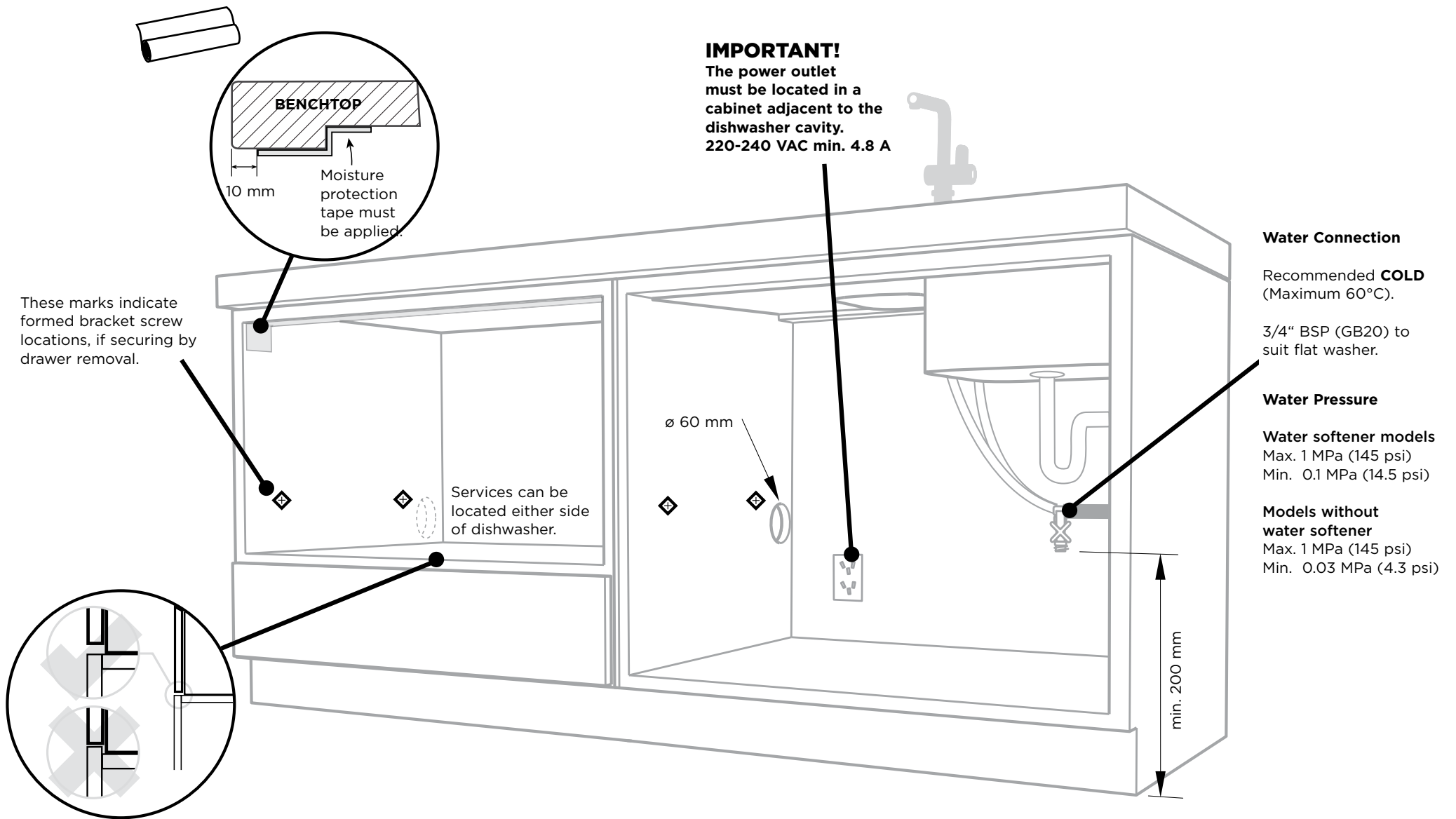
Cavity height options allow you to match dishwasher with your cabinetry or companion products



Minimum clearances from adjacent cabinetry



5 CAVITY PREPARATION

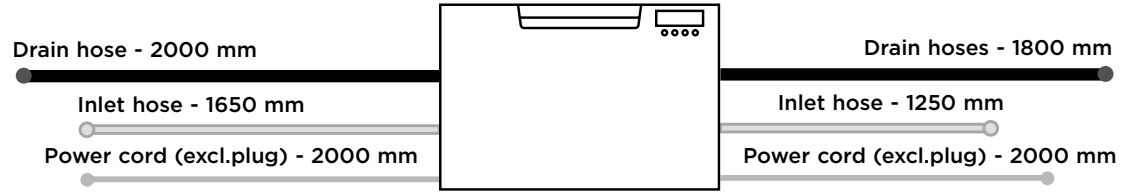


IMPORTANT!
Adjacent cabinetry must not extend above cavity base.

⑥ **MAXIMUM DISTANCE OF HOSES & CORD FROM CHASSIS EDGE**

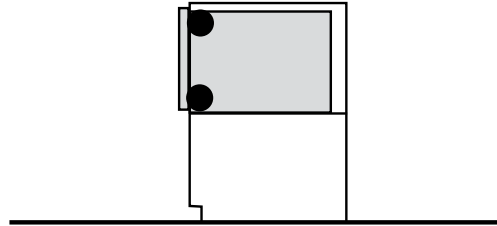
LEFT HAND SIDE

RIGHT HAND SIDE



**NOW CHOOSE WHICH INSTALLATION METHOD (A) OR (B)
IS MORE SUITABLE FOR YOUR CABINETRY...**

7 RECOMMENDED METHOD (A) - SECURE WITHOUT DRAWER REMOVAL (FRAMELESS CABINETRY ONLY)



8 - (A) ATTACH SIDE MOUNTING BRACKETS

Clip all four side mounting brackets into their slots using a flat-bladed screwdriver. Ensure they're securely fitted before sliding product into cavity.

The mounting slots are in pairs, one on each side diagonally across the product. **A** bracket must match **A** slot and **B** bracket must match **B** slot.

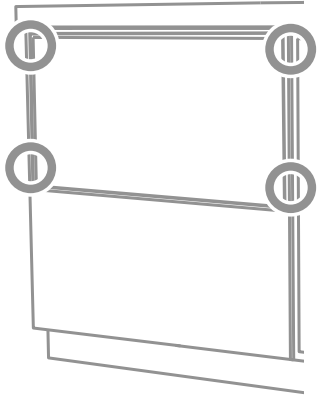
When fitting brackets, ensure the ends are not pushed down into the chassis.

9 - (A) PULL THROUGH HOSES & PUSH INTO THE CAVITY

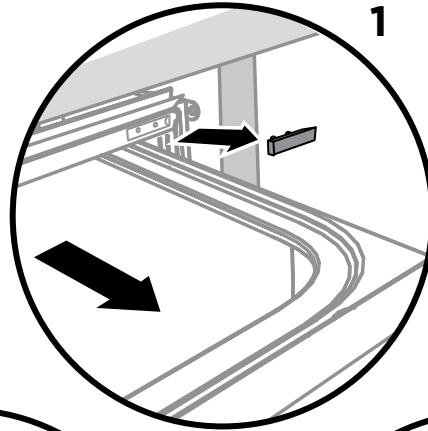
As you push product in, pull through hoses and cord, ensuring they don't get kinked or twisted.

IMPORTANT!

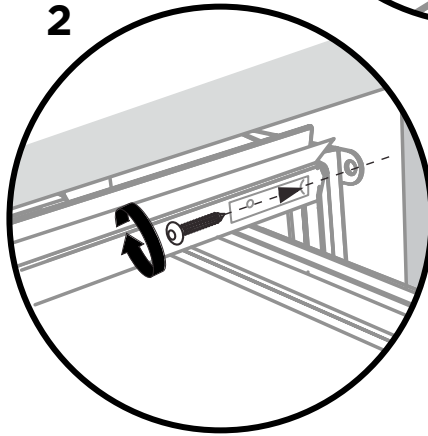
If product cannot be pushed in far enough, pull out again and rearrange hoses and cord. Do not use excessive force, as doing so may squash the hoses and lead to incorrect operation.



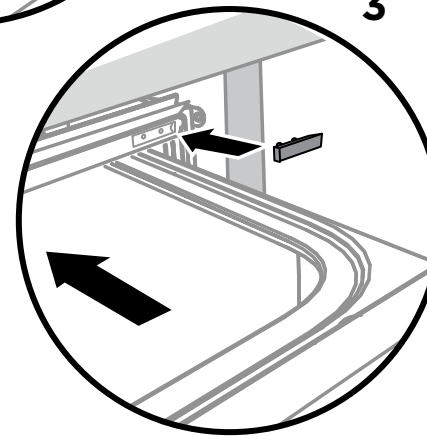
Open the drawer halfway. Using a flat bladed screwdriver, prise the grey rubber plug out of the trim moulding.



Using a small Philips screwdriver, screw through the trim moulding, securing the side mounting bracket to the cabinetry. Do not damage the rubber trimseal.

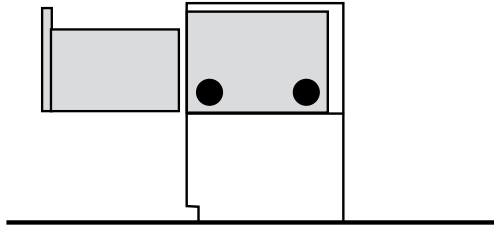


Repeat for all four brackets.

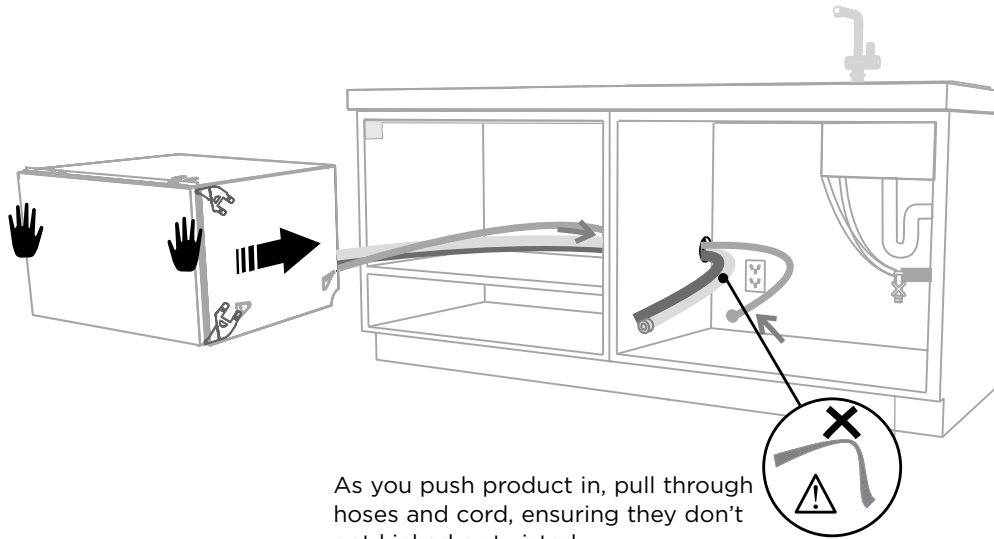


Replace the grey rubber plug back into the trim moulding and ensure the trim seal is facing forward.

⑦ ALTERNATIVE METHOD (B) - SECURE BY DRAWER REMOVAL



⑧-B PULL THROUGH HOSES & PUSH INTO THE CAVITY

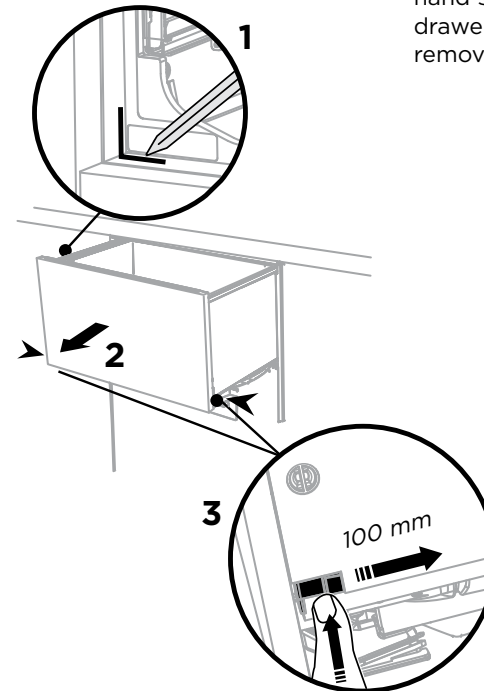


As you push product in, pull through hoses and cord, ensuring they don't get kinked or twisted.

IMPORTANT!

If product cannot be pushed in far enough, pull out again and rearrange hoses and cord. Do not use excessive force, as doing so may squash the hoses and lead to incorrect operation.

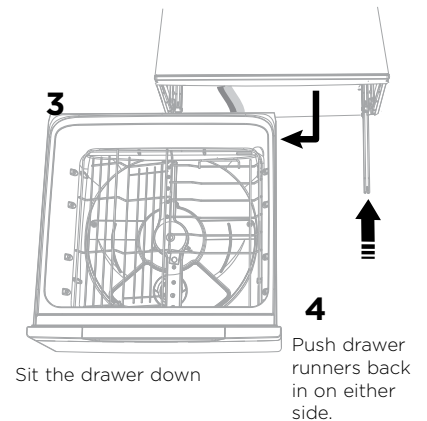
⑨-B REMOVE THE LOWER DRAWER



Press the release tabs in on either side and push back to release drawer from runners.
Lift drawer off runners.

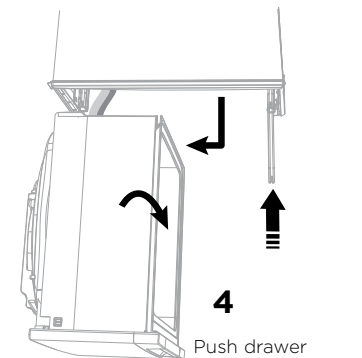
To prevent kinked hoses

Either sit the drawer down on the left hand side (recommended) or rotate the drawer clockwise, resting it on its side after removal.



Sit the drawer down

Push drawer runners back in on either side.



Rotate the drawer clockwise (max. 90°) and rest on side.

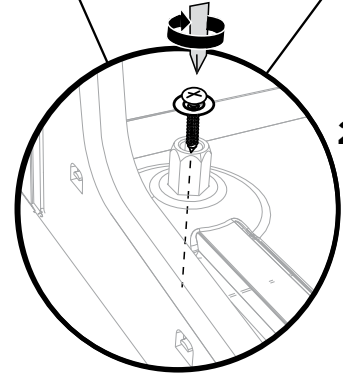
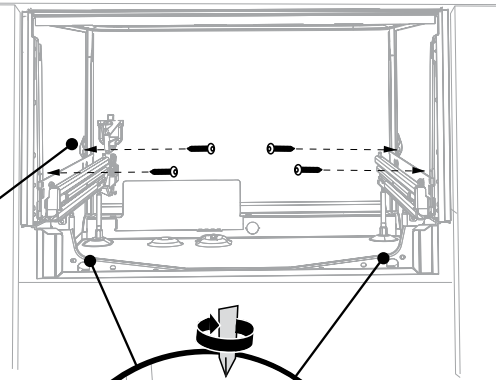
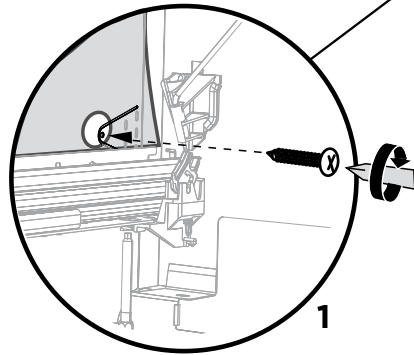
Push drawer runners back in on either side.

10-B SECURE TO THE CABINETRY ON THE SIDES

The product has three pairs of fixing points:

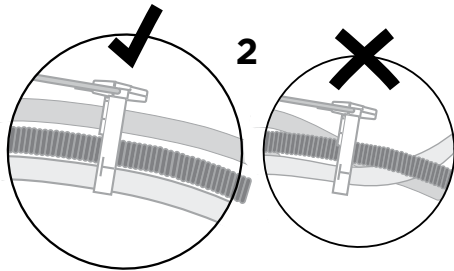
Ensure the sound insulation is repositioned correctly.

two pairs of formed brackets on either side of the chassis (use 16 mm screws)

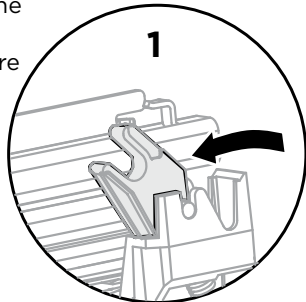


a pair of fixing holes either side on the bottom (use 38 mm fixing screws & washers)

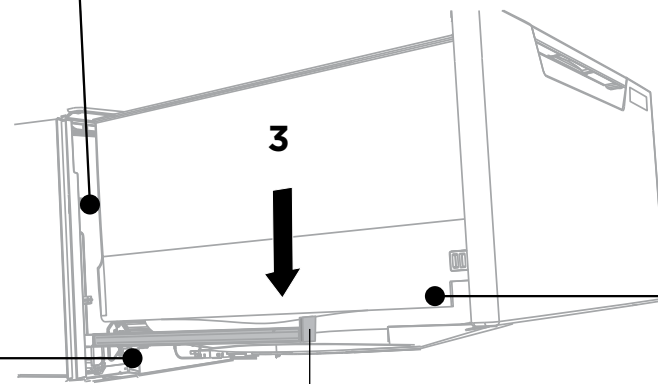
11-B REFIT THE DRAWER ONTO THE RUNNERS



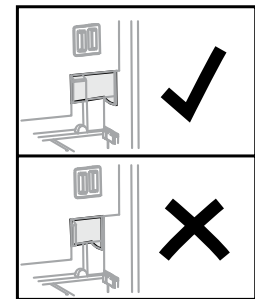
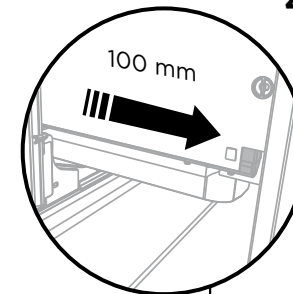
Before refitting the drawer, ensure the hoses are not twisted and the latches at the rear of each drawer runner are facing forward.



Lift or rotate anti-clockwise the drawer back onto the drawer runners on either side.



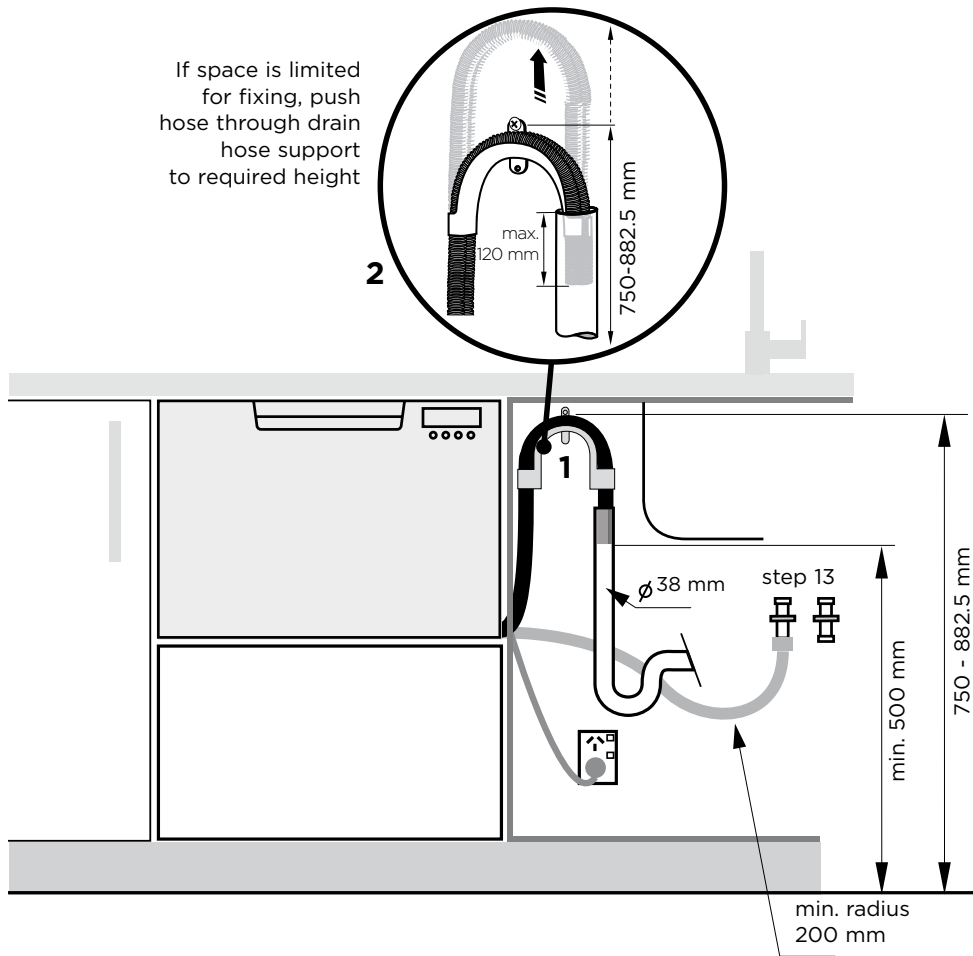
Release tab



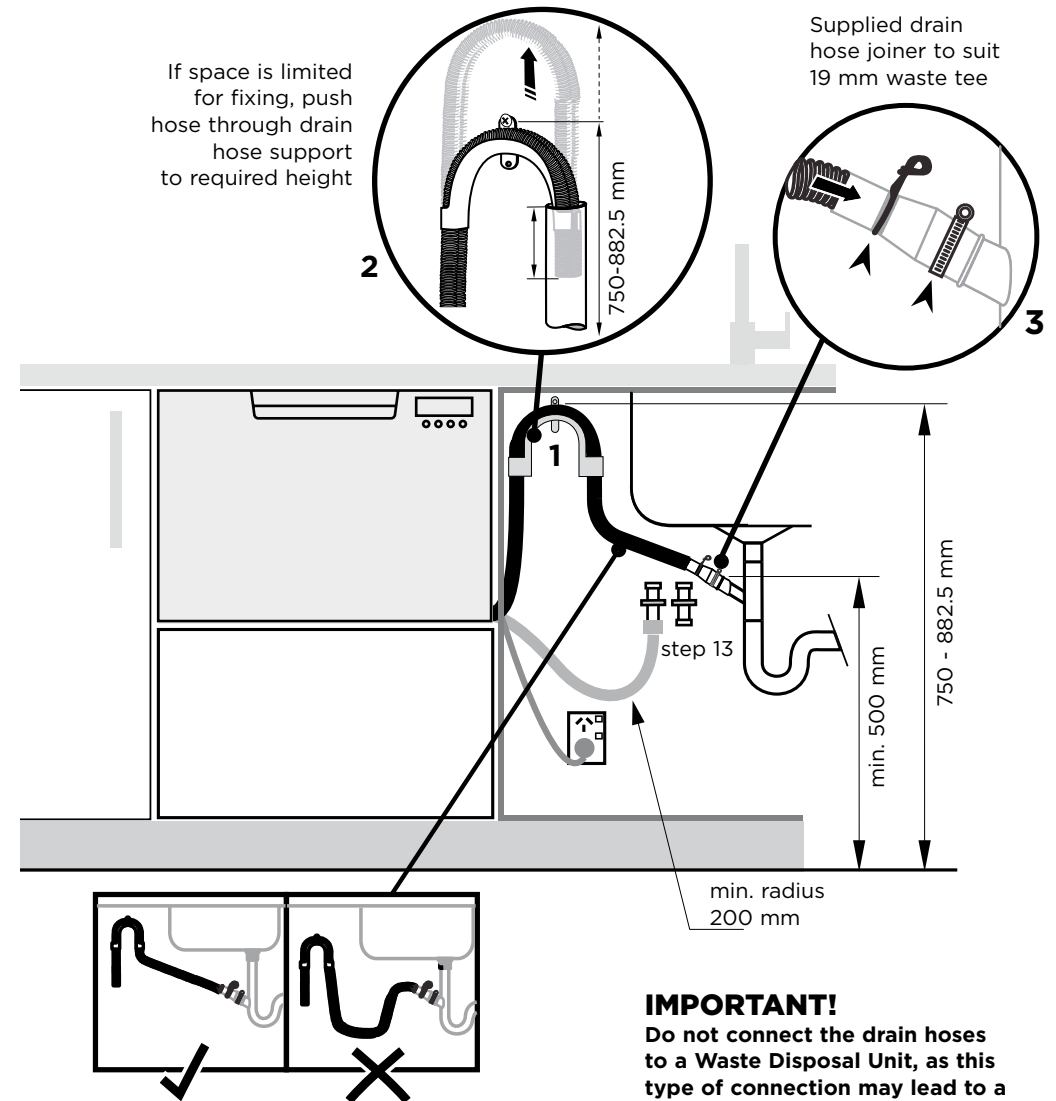
Pull the release tabs forward on both sides 100 mm. Ensure the tabs are fully pulled forward and click into place.

12 THERE ARE TWO DIFFERENT PLUMBING AND DRAINAGE OPTIONS. CHOOSE WHICH IS MORE SUITABLE.

Dishwasher and Ø 38 mm Standpipe



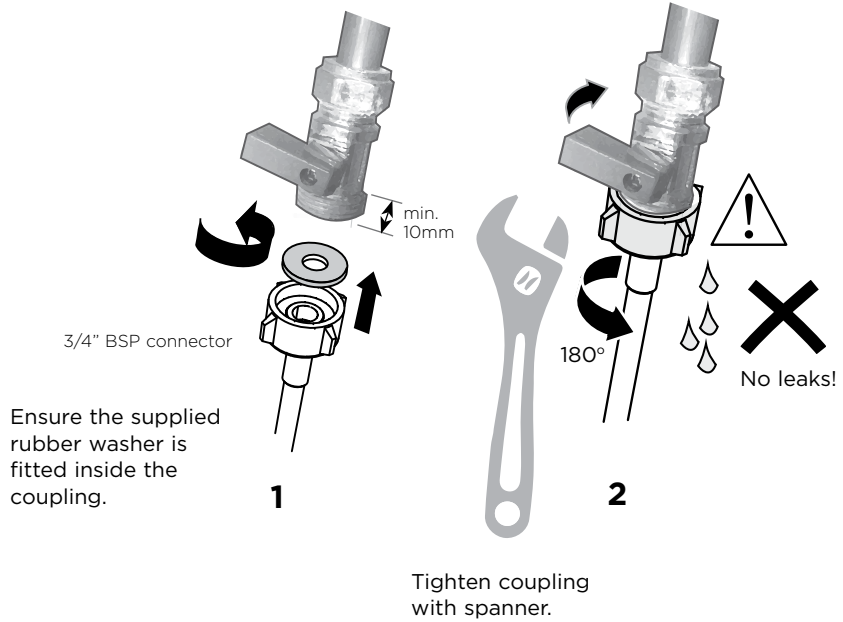
Dishwasher using drain hose joiner onto sink trap/waste tee



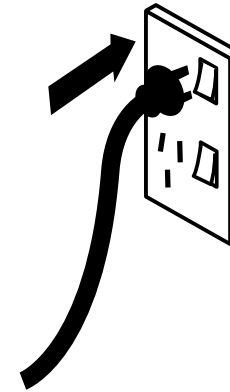
IMPORTANT!
Do not connect the drain hoses to a Waste Disposal Unit, as this type of connection may lead to a blockage in the drain hoses.

Ensure drain hose is routed straight to joiner. Remove excess drain hose material if necessary. Do not shorten the inlet hose.

13 CONNECT INLET HOSE TO COLD WATER



14 PLUG PRODUCT IN



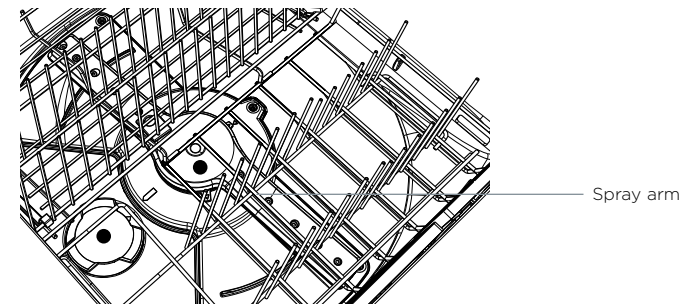
- **Excessive water remaining above the filter plate, after the rinse cycle. (This is displayed as an R3 fault)**
Check for a kinked drain hose, blocked waste connection, highloop not properly installed, drain hose not routed correctly or spray arm not in place.
- **No water supply. (This is displayed as an R1 fault)**
Check water is connected and turned on.
- **The dishwasher is beeping continuously**
There is a fault. See section 'If there is a fault' in the User guide for further information and instructions.
- **No program indicator lights up when the drawer is opened**
Ensure power is connected and is switched on. If it is and still no indicator lights up, see the 'Preference options' section of the 'Quick start guide'. An option called 'Open drawer auto power-on' may need to be turned on.
- **Water around water supply and drainage connections**
Check connections, existing plumbing and hoses for leaks. Check rubber washer and hose clamp are correctly fitted.
- **If product is tipping**
Ensure the product is secured to the cabinetry.
- **Drawer doesn't close properly**
Ensure nothing is obstructing the drawer from closing properly eg hoses or drawer latches.
- If a problem occurs, consult the 'Troubleshooting' section of the User guide.
- If after checking these points you still need assistance, please refer to the Service & Warranty book for warranty details and your nearest Authorised Service Centre, or contact us through our website, listed below.

16 FINAL CHECKLIST

✓ TO BE COMPLETED BY THE INSTALLER

- Check all parts are installed.
- Ensure that all panels and parts thereof are secure and final electrical tests have been conducted in accordance with local electrical regulations.
- Ensure product is level, securely fastened to the cabinetry and opens and closes freely. The drawers must be free to fully close with no resistance from the cabinetry.
- Ensure inlet hose to water supply has supplied rubber washer fitted, and that it's tightened a further half turn after seal contact.
- Ensure any knockouts or plugs in drain connection have been drilled out and drain connection has been made.
- The drain hose joiner must not support the weight of excess hose material. Keep drain hose as fully extended as possible to prevent sagging. Any excess length of drain hose should be kept on the dishwasher side of the highloop.
- If connecting the drain hose to the sink trap, ensure the Highloop is a minimum 150 mm higher than the drain hose joiner.
- Ensure any packaging or tape securing the racks is removed from the drawers.
- Water softener models only: adjust the water softener setting from the default setting to suit the water hardness of the area. See the Quick start guide and section 'Water softener' in the User guide.

- Turn on the power and water supplies, then open the drawer. You should hear a beep and see a program indicator light up on the control panel.
- Check the spray arms are in place, mounted correctly and free to rotate, by physically rotating by hand.



- Add three cups of water into the drawer. Press >> until the indicator of the 'Rinse' program lights up. Close the drawer and press ▶|| to start the program.
- After the Rinse program has finished, ensure the dishwasher has run and drained correctly.
- Check the water supply has correctly shut off and drainage connection for leakage.

Complete and keep for safe reference:

Model _____

Serial No. _____

Purchase Date _____

Purchaser _____

Dealer Address _____

Installer's Name _____

Installer's Signature _____

Installation Company _____

Installation Date _____

Copyright © Fisher & Paykel Appliances 2016. All rights reserved.
 The product specifications in this booklet apply to the specific products and models described at the date of issue. Under our policy of continuous product improvement, these specifications may change at any time. You should therefore check with your Dealer to ensure this booklet correctly describes the product currently available.